



PINNACLE

Submittal Data: SC-09WPL-HP230 / SC-09ZPL-HP230 9,000 BTU/H Wall Mounted Heat- Pump System

| | | |
|------------------|--------------|--|
| Job Name | Location | Date |
| Purchaser | Engineer | |
| Submitted To | For | <input type="checkbox"/> Reference <input type="checkbox"/> Approval <input type="checkbox"/> Construction |
| Unit Designation | Schedule No. | |

- GENERAL FEATURES**
- Variable Speed (Inverter) Two-Stage Compressor
 - Low Ambient Heating (down to -22° F)
 - High Ambient Cooling (up to -129° F)
 - WIFI Included
 - Wireless Remote with LCD Display (included)
 - 7 Indoor Fan Speeds /4 Way Airflow Operation
 - Copper Tube/Aluminum Fins w/Acrylic Resin Anti-Corrosion
- both inside and out**
- I-FEEL Function



| | |
|---|---|
| Cooling | Fan Motor |
| Rated Capacity 9,000 BTU/H | Type Cross-flow |
| Capacity Range 1,535-12,966 BTU/H | Output Power W 60 |
| Power Input 540 W | FLA A 0.09 |
| Power Input (Min/Max) 50/1400 W | Airflow (Low/High) CFM 206/424 |
| SEER 38.0 | Air Throw (Max) ft 29.5 |
| EER 16.5 | Sound Level |
| Heating | Outdoor Unit Data |
| Rated Capacity at 47° F 9,000 BTU/H | Compressor Type DC Inverter Driven 2-Stage Rotary |
| Capacity Range 2,388-13,648 BTU/H | RLA 6.9 A |
| Power Input 590 W | Fan Motor Output Power 30 W |
| Power Input (Min/Max) 200/1500 W | RLA 0.09 A |
| HSPF 15.0 | Sound Level 53 dB(A) |
| COP 4.5 | Refrigerant Piping Data |
| Heating at 17° F | |
| Rated Capacity 5,600 BTU/H | Liquid Pipe Size (OD) 1/4-in |
| Operating Range | Gas Pipe Size (OD) 1/2-in |
| Cooling (Max) 129°F (54°C) | Connection Method Flared |
| (Min) 0°F (-18°C) | Factory Charge R410A/50.4 oz |
| Heating (Max) 75°F (24°C) | Additional Charge 0.2 oz/ft |
| (Min) -22°F (-30°C) | Pre-Charge Length 25-ft |
| Power Supply | MAX Refrigerant Pipe Length 49-ft |
| Normal Operational Voltage 208/230 V, 1 Phase, 60 Hz | MIN Refrigerant Pipe Length 10-ft |
| Voltage Range 187 - 253 V | MAX Refrigerant Pipe Height Difference 33-ft |
| Main Power Wire Size 14-2 AWG | |
| Interconnecting Cable Wire Size 14-4 AWG | |
| MCA 9 A | |
| MOCP/Breaker Size 15 A | |



| SYSTEM FEATURES | |
|--|------------------------------|
| Inverter Type | G10 |
| Ultra Low Frequency Torque Control | Yes |
| Power Factor Correction | Yes |
| Compressor Type | High Eff. Two Stage Rotary |
| Refrigerant Type | R410A |
| Basepan With Electric Heater | YES |
| Compressor With Electric Heater | YES |
| Indoor & Outdoor Fin Coating (Blue) | Acrylic Resin/Anti-Corrosion |
| Intelligent Defrosting | YES |
| Intelligent Preheating | YES |
| Low Voltage Startup | YES |
| Memory/Power Failure Recovery | YES |
| Self Diagnosis | YES |
| Wired Controller Interface | NO |
| WIFI Included | YES |
| Indoor Fan Type | Crossflow |
| Multi Fan Speeds | 7 Speeds |
| Indoor Unit Display | YES |
| Auxiliary Electrical Heater | NO |
| Ventilation (Outdoor Air) | NO |
| REMOTE CONTROLLER FUNCTIONS | |
| Auto Mode | YES |
| Auto Fan | YES |
| Auto Swing (Horizontal Auto Swing) | YES |
| Auto Swing - 180°(Vertical Auto Swing) | YES |
| Clock on Remote Controller | YES |
| Dry Mode | YES |
| Dry Anti-Mildew (X-Fan) Mode | YES |
| Energy Saving Mode | NO |
| Dirty Filter Alert | NO |
| Fan Speed Control (7 speeds) | YES |
| I Feel Function | YES |
| Privacy Lock on Remote Controller | YES |
| Quiet Mode | YES |
| Room Temperature Display | NO |
| Sleep Mode | YES |
| 4 Sleep Modes Options | YES |
| Timer Mode | YES |
| Turbo Mode | YES |
| Display On/Off Control | YES |
| Freeze Guard Mode | NO |
| Display On/Off Control | YES |
| Freeze Guard Mode | YES |
| Power Failure Mode | YES |

COOLING PERFORMANCE

| Outdoor Ambient Temperature (DB) | Return Air Temperature | | | | |
|----------------------------------|------------------------|--------|--------|-----------------|------|
| | 80°F (DB) | | | | |
| | TC (Btu/h) | SHR | EER | Power Input (W) | |
| MAX OUTPUT | 0°F | 8450 | 72.50% | 8.88 | 952 |
| | 5°F | 8775 | 72.75% | 9.01 | 974 |
| | 10°F | 9100 | 73.00% | 9.15 | 994 |
| | 15°F | 9204 | 73.50% | 9.07 | 1015 |
| | 20°F | 9680 | 72.71% | 9.19 | 1053 |
| | 25°F | 9815 | 74.50% | 8.99 | 1092 |
| | 30°F | 9880 | 74.50% | 8.93 | 1106 |
| | 35°F | 10010 | 74.50% | 8.94 | 1120 |
| | 40°F | 10660 | 75.00% | 9.17 | 1162 |
| | 45°F | 10790 | 75.50% | 9.12 | 1183 |
| | 50°F | 11050 | 75.50% | 9.18 | 1204 |
| | 55°F | 11310 | 75.50% | 9.23 | 1225 |
| | 60°F | 12350 | 76.50% | 9.59 | 1288 |
| | 65°F | 12220 | 76.50% | 9.59 | 1274 |
| | 70°F | 12350 | 76.50% | 9.59 | 1288 |
| | 75°F | 13390 | 77.00% | 10.07 | 1330 |
| | 80°F | 13650 | 77.50% | 10.10 | 1351 |
| | 85°F | 13780 | 77.50% | 10.04 | 1372 |
| | 90°F | 13600 | 77.56% | 9.82 | 1385 |
| | 95°F | 13000 | 78.00% | 9.29 | 1400 |
| | 100°F | 12610 | 78.00% | 8.83 | 1428 |
| 105°F | 12350 | 78.50% | 8.40 | 1470 | |
| 110°F | 12090 | 79.00% | 7.85 | 1540 | |
| 115°F | 11830 | 79.00% | 7.68 | 1541 | |
| 120°F | 11490 | 78.80% | 7.20 | 1596 | |
| 125°F | 11050 | 79.50% | 6.86 | 1610 | |
| 129°F | 10790 | 79.50% | 6.70 | 1610 | |

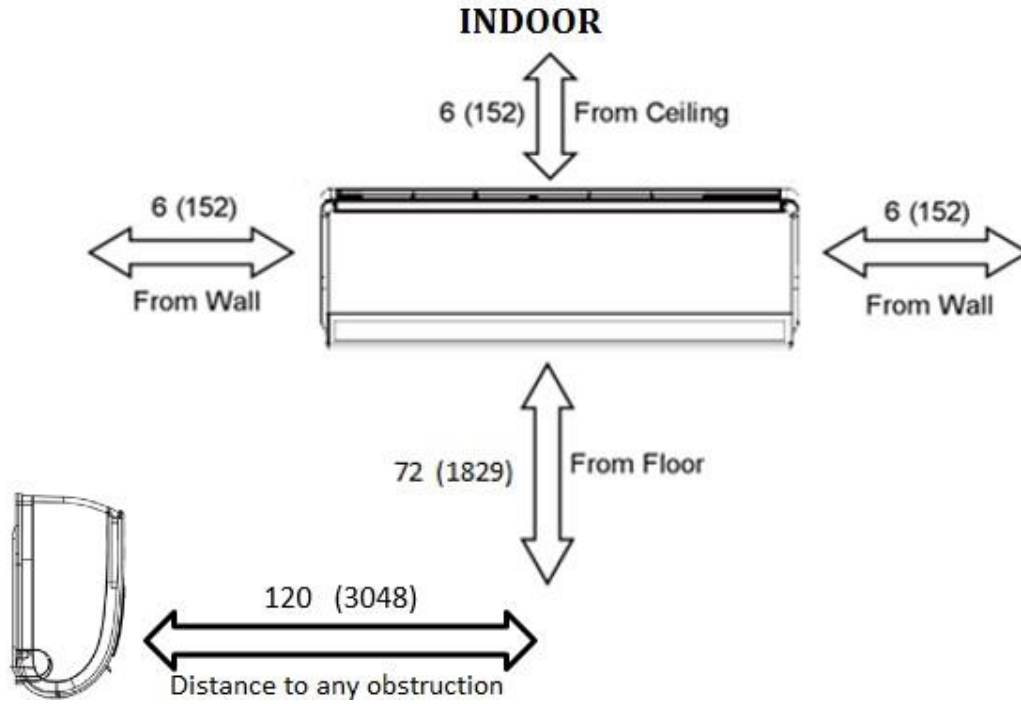
HEATING PERFORMANCE

| Outdoor Ambient Temperature (DB) | Return Air Temperature | | | |
|----------------------------------|------------------------|-------|-----------------|------|
| | 70°F (DB) | | | |
| | TC (Btu/h) | COP | Power Input (W) | |
| MAX OUTPUT | -22°F | 7506 | 1.87 | 1177 |
| | -20°F | 7655 | 1.89 | 1187 |
| | -15°F | 8055 | 1.97 | 1198 |
| | -10°F | 8470 | 2.05 | 1211 |
| | -5°F | 8871 | 2.12 | 1226 |
| | 0°F | 9281 | 2.17 | 1251 |
| | 5°F | 9690 | 2.23 | 1276 |
| | 10°F | 10236 | 2.30 | 1302 |
| | 15°F | 10836 | 2.40 | 1326 |
| | 17°F | 10998 | 2.41 | 1331 |
| | 20°F | 11191 | 2.42 | 1356 |
| | 25°F | 11601 | 2.46 | 1384 |
| | 30°F | 12010 | 2.49 | 1412 |
| | 35°F | 12465 | 2.56 | 1429 |
| | 40°F | 12966 | 2.64 | 1441 |
| | 45°F | 13325 | 2.66 | 1468 |
| | 47°F | 13525 | 2.67 | 1482 |
| | 50°F | 13648 | 2.67 | 1500 |
| | 55°F | 13921 | 2.69 | 1515 |
| | 60°F | 14057 | 2.69 | 1530 |
| | 65°F | 13512 | 2.69 | 1470 |
| 70°F | 12693 | 2.56 | 1455 | |
| 75°F | 12010 | 2.50 | 1410 | |

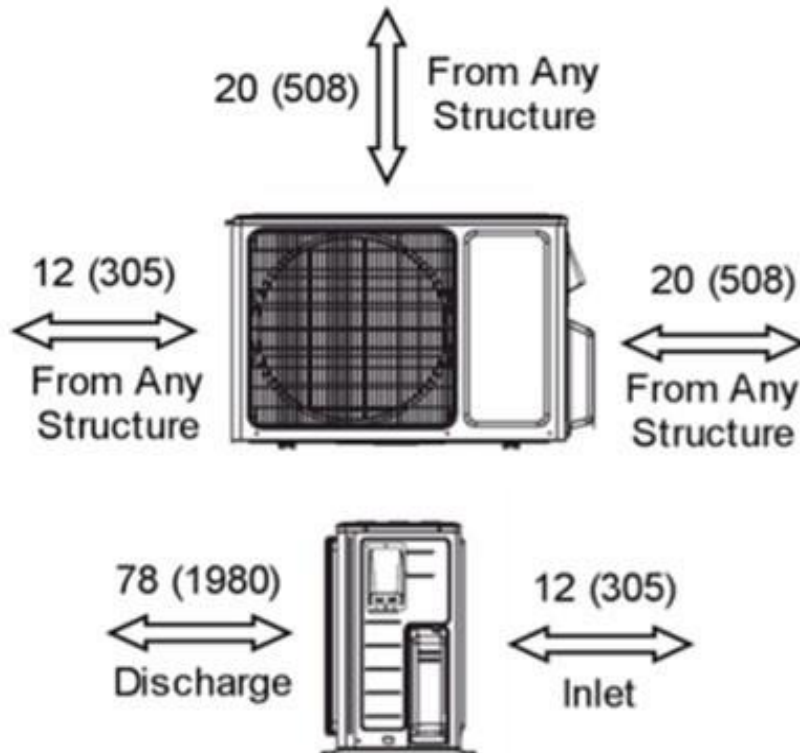
LEGEND: W - Watts
 DB - Dry Bulb
 TC - Total Capacity
 SHR - Sensible Heat Ratio
 COP - Coefficient of Performance

MINIMUM SPACING REQUIREMENTS

Units: inch (mm)



MINIMUM OUTDOOR CLEARANCES



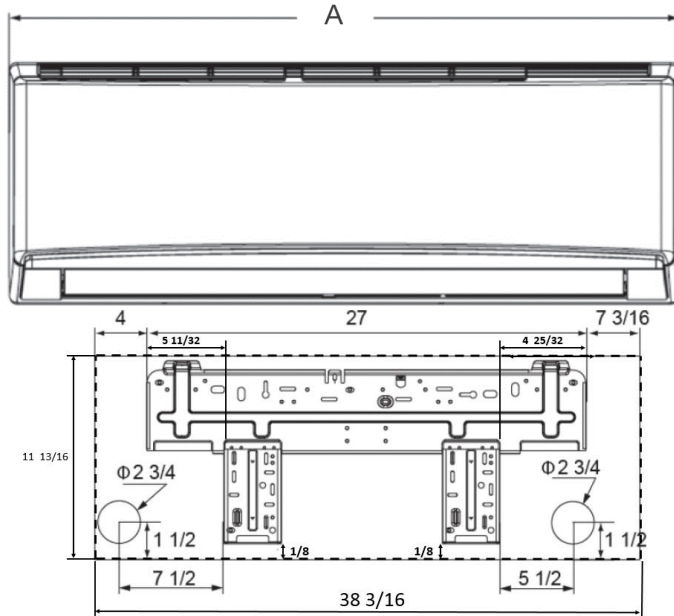
DIMENSIONAL SPECIFICATIONS

SC-09WPL-HP230

INDOOR UNIT DIMENSIONS

Units: inch

Model No: SC-09WPL-HP230



| Dimensions | |
|------------|--------|
| A | 39 1/2 |
| B | 12 |
| C | 8 7/8 |

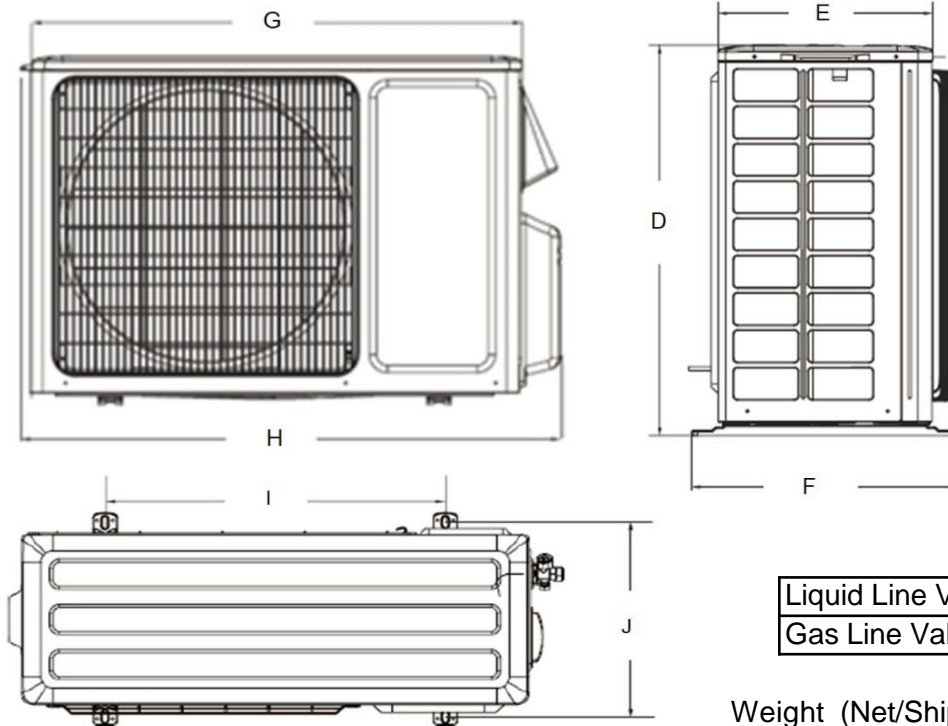
Weight (Net/Shipping) 29 / 35 LBS

| | |
|-------------------|------------------|
| Liquid Line Valve | 1/4-in OD Flared |
| Gas Line Valve | 1/2-in OD Flared |
| Drain Connector | 5/8-in OD |

OUTDOOR UNIT DIMENSIONS

Units: inch

Model No: SC-09WPL-HP230



| Dimensions | |
|------------|--------|
| D | 23 1/2 |
| E | 12 |
| F | 14 3/4 |
| G | 33 1/4 |
| H | 35 |
| I | 19 1/4 |
| J | 13 1/2 |

| | |
|-------------------|------------------|
| Liquid Line Valve | 1/4-in OD Flared |
| Gas Line Valve | 1/2-in OD Flared |

Weight (Net/Shipping) 100 / 106 LBS

Notes:

1. Recommended Interconnecting Cable Type 14 AWG 4 Stranded Copper Conductors THHN 600V Wire
2. Power wiring cable size must comply with applicable national and local codes.
3. Test conditions are based on AHRI 210/240.